



JOINT RESTRAINT PRODUCTS  
**IMPORT PRICE LIST**  
**EFFECTIVE JANUARY 31, 2022**

version: **IMP-JRPL.22.01**  
EFFECTIVE: JANUARY 31, 2022  
(SUPERSEDES ALL PREVIOUS PRICING)

*PLEASE CALL FOR SPECIAL COATINGS*

**CORONA CALL CENTER (U.S.)**

Toll Free: (877) 701-7827  
Fax: (951) 898-9561

**HOUSTON CALL CENTER (U.S.)**

Toll Free: (800) 999-3009  
Fax: (281) 558-9000

**CAMBRIDGE CALL CENTER (CANADA)**

Toll Free: (888) 893-7827  
Fax: (519) 650-1553



Certified to  
ISO 9001:2015

Star Pipe Products  
4018 Westhollow Parkway  
Houston, Texas 77082  
[www.starpipeproducts.com](http://www.starpipeproducts.com)

Corporate Headquarters  
800.999.3009 Toll Free  
281.558.3000 Telephone  
281.558.9000 Fax

# General Terms and Conditions

## GENERAL

Star Pipe Products' ("Seller") terms and conditions of sale (the "Terms") shall control with respect to any sale of Seller's products (the "Goods") to any customer (each, a "Buyer") (each, an "Order"). No waiver, alteration or modification of these terms and conditions whether on Buyer's purchase order or otherwise shall be valid unless the waiver, alteration or modification is specifically accepted in writing and signed by an authorized representative of Seller. Buyer acknowledges that these Terms and Conditions are subject to change from time to time and the parties agree that each sale of Goods will be independently governed by the version of the Terms available online at [www.starpipeproducts.com](http://www.starpipeproducts.com) at the time of acceptance by Seller such order. All references by Seller to Buyer's specifications and similar requirements are only to describe Goods and work covered hereby and no warranties or other terms will have any force or effect. Buyer may not rely on any representation, promise or term not set forth herein and Seller expressly objects to and rejects all terms not contained in these Terms. Seller's acceptance of an Order, whether oral or written, and/or its delivery of Goods to Buyer is based on the express condition that Buyer agrees to all of these Terms.

## GOVERNING LAW; VENUE

These Terms (and every Order) shall be deemed made under and governed by the laws of the State of Texas and shall be construed and enforced in accordance therewith (without regard to its rules respecting conflicts of Law). Buyer irrevocably submits to the jurisdiction and venue of the state and federal courts located in Harris County, State of Texas, hereby waives any objections or defenses to such forum jurisdiction and venue selection, and agrees and consents that service of process may be made upon it in any legal proceeding relating to these Terms by any means allowed under Texas or federal law. **No party shall have the right to litigate, include in any lawsuit, or otherwise present claims for any other person or entity or for any class of persons or entities, and each party waives any such rights or claims it might have.**

## QUOTATIONS

Where Seller issues a quotation to place a bid, Seller's quotation is for prompt acceptance (not later than 30 days) and Seller reserves the right to modify and/or withdraw such quotation without notice. Buyer's prompt acceptance of the quotation and these Terms are material terms of the quotation and any resulting Order. In cases where freight allowance is included in the quotation, Buyer shall be liable for any rate increase and/or additional expense over the calculated allowance resulting from compliance with Buyer's shipping instructions.

## DELIVERY

Seller will make every effort to complete delivery of Goods as indicated on an Order, but Seller shall have no responsibility or liability, and will accept no back charge, for losses or damages arising from delivery delays or failure to give notice of expected delay. Seller may terminate any Order without liability of any nature, by written notice to Buyer, in the event that the delay in delivery or performance resulting from any of the aforesaid causes shall continue for a period of longer than sixty (60) days.

## WARRANTY

Seller warrants Goods of its own manufacture for one (1) calendar year from the date of shipment shall conform to the material and technical specifications set forth in the Order. Goods manufactured by others are sold "as is" except to the extent the manufacturer honors any applicable warranty made by the manufacturer. Secondhand goods are sold "as is". If the new Goods fail to conform with such specifications upon inspection by Seller, Seller will, at its option and as Buyer's sole remedy, either repair or replace such Goods having defects in material or workmanship with the type originally furnished. Seller shall not be liable or responsible and Seller's warranty obligations shall not apply if (A) upon inspection any defects are attributed to normal wear and tear, erosion or corrosion, improper storage, use or maintenance or use of Goods with incompatible products, (B) the defect is in any portion or part of Goods not manufactured by Seller, (C) Goods have been repaired or altered outside of Seller's factory, in any manner; (D) Goods have been subjected to misuse, negligence or accidents; or (E) Goods have been used in a manner contrary to Seller's instructions or recommendations. If (B) above is applicable, Seller will, as an accommodation to Buyer, assign to Buyer any warranties given to it by any such other manufacturers; provided, however, that the foregoing will not extend Seller's warranty to any accessory products unless otherwise agreed to in writing by Seller. If Seller's examination shall disclose to its satisfaction that the Good is defective, cannot be replaced and an adjustment is required, the amount of such adjustment shall not exceed the net line item sales price of the defective Good only and no allowance will be made for labor or expense of repairing or replacing defective Good or workmanship or damage resulting from the same. No adjustment shall be implemented unless the Good in question is returned to Seller in its originally installed condition, still connected to other components of the joint. Buyer must contact Seller as quickly as possible so Seller can assess the Good in its installed condition. No claims will be honored unless claim is made within forty-five (45) days of the defect being discovered. Where engineering design or fabrication work is supplied, Buyer's acceptance of Seller's design or of delivery of work shall relieve Seller of all further obligation for such services. THIS CLAUSE CONTAINS SELLER'S SOLE WARRANTY. SELLER MAKES NO OTHER WARRANTY OF ANY KIND, EXPRESSED OR IMPLIED AND ALL IMPLIED WARRANTIES OF MERCHANTABILITY AND FITNESS FOR A PARTICULAR PURPOSE WHICH EXCEED SELLER'S AFORESTATED OBLIGATION ARE HEREBY DISCLAIMED BY SELLER AND EXCLUDED FROM THIS WARRANTY. Seller neither assumes, nor authorizes any person to assume for it, any other obligation in connection with the sale of its engineering designs or Goods. Seller shall not be responsible for design errors due to inaccurate or incomplete information supplied by Buyer or its representatives. This warranty is non-transferable.

## LIABILITY

Seller shall not be liable for any loss, damage, cost of repairs, labor costs, special, incidental or consequential damages of any kind, whether based upon warranty (except for the obligation accepted by Seller under "Warranty" above), contract or negligence, arising in connection with the design, manufacture, sale, use or repair of the Goods or of the engineering designs supplied to Buyer. IN NO EVENT SHALL SELLER'S AGGREGATE LIABILITY ARISING OUT OF OR RELATED TO ANY ORDER ISSUED PURSUANT TO ANY ORDER, WHETHER ARISING OUT OF OR RELATED TO BREACH OF CONTRACT, TORT (INCLUDING NEGLIGENCE OF ANY KIND) OR OTHERWISE, EXCEED THE LINE ITEM PRICE OF THE GOOD(S) GIVING RISE TO THE CLAIM OR \$10,000 USD, WHICHEVER IS LESS.

(Continued)

# General Terms and Conditions

- DISCLAIMER** (1) PER AWWA/ANSI C110 A21.10, THE FLANGED JOINT IS GENERALLY SPECIFIED FOR ABOVE GROUND SERVICE. UNDERGROUND USE OF THE FLANGED JOINT IS GENERALLY NOT DESIRABLE DUE TO THE RIGIDITY OF THE JOINT. (2) SELLER WILL NOT PROVIDE WARRANTY FOR OR BE RESPONSIBLE FOR THE REPAIR OR REPLACEMENT OF GOOD DAMAGED BY PRESSURE JETTING OF ANY KIND, REGARDLESS OF AGE OR CAUSE.
- RETURNS** Seller will not accept return of any Good(s) unless Seller's written permission has been first obtained, in which case the Goods will be credited subject to the following: (a) All material returned must, on its arrival at Seller's plant, be found to be in first-class condition; if not, cost of putting in saleable condition will be deducted from credit memoranda; (b) A handling charge deduction of twenty-five percent (25%) will be made from all credit memoranda issued for material returned; (c) Transportation charges, if not prepaid will be deducted from credit memoranda.
- SHIPMENTS** All Goods sent out will be carefully examined, counted and packed. The cost of any special packing or special handling caused by Buyer's requirements or requests shall be added to the amount of the Order. No claim for shortages will be allowed unless made in writing within ten (10) days of receipt of a shipment. Claims for Goods damaged or lost in transit should be made on the carrier, as Seller's responsibility ceases, and title passes, on delivery to the carrier.
- GOODS** Orders covering special, made-to-order, rush or non-standard Goods are not subject to cancellation except on such terms as Seller may specify on application.
- PRICES** All prices and designs are subject to change without notice. All prices are F.O.B. Point of Shipment, unless otherwise stated.
- FORCE MAJEURE** Seller shall not be responsible or liable in any way for any failure to perform due to acts of God, fire, flood, serious accidents, foreign or United States embargo, war or riot, serious shortages, unavailability or significant price increases in commodities, materials or components, labor disputes, interruption of transportation, loss of essential production services, laws, rules, regulations, instructions or acts of any U.S. or foreign governmental authority, or by any other event beyond the reasonable control of Seller or its subcontractors.
- TAXES** The amount of any sales, excise or other taxes, if any, applicable to the Goods covered by this order, shall be added to the purchase price and shall be paid by Buyer unless Buyer provides Seller with an exemption certificate acceptable to the taxing authorities.
- MISCELLANEOUS** Seller produces both domestic and import Goods and each are cast with country of origin. The responsibility lies with the ordering and receiving parties to determine the suitability and origin of all Goods being requested. All Goods should be installed per Seller's installation instructions. Seller's Terms always apply. Please contact Seller if either are not readily available. All Domestic fittings are compliant with the Consolidated Appropriations Act of 2014 (AIS), the Recovery and Reinvestment Act of 2009 (ARRA) and the Buy America Acts of 1983 and 1933. We offer two (2) types of Domestic restraint Goods: (1) AIS Compliant and (2) Buy American Compliant.
- (1) All Goods described as AIS Compliant meet all requirements of the American Iron and Steel provision of the Consolidated Appropriations Act of 2014 (AIS), the Buy America Act of 1983 and the Buy American Act of 1933.
- (2) Buy American Compliant Goods meet the original Federal Buy American Act of 1933. These Goods may include import components and this will be noted in the description of the Good.
- Pressure Cleaning Guidelines:** The Ductile Iron Pipe Research Association publishes the Installation Guide for Ductile Iron Pipe. The following language comes from Chapter 7 of the February 2012 edition of this document: "The use of pressure washing to clean the inside diameter of cement-mortar-lined iron pipe is not recommended due to the possibility of damage to the seal coat and/or cement-mortar lining. The aggressiveness of the pressure washing is dependent on water pressure, travel speed, water jets, water jet angle to the lining, distance of the water jets from the lining, diameter of pipe, type of lining application, etc. Any attempt to do so is at the sole risk of the equipment operator." Seller concurs with this position. Seller will not provide warranty for or be responsible for the repair or replacement of Good damaged by pressure jetting of any kind.
- Non-Pressure Sewer Applications:** If a mandrel test is required, or if a particular inside diameter is needed in order to accommodate CCTV equipment or some other tool, it is recommended that the installer check inside diameter compatibility by passing an object of the same size through the fitting prior to installation in order to ensure that the fitting's inside diameter is compatible with the test or inspection desired. Mandrels, CCTV equipment, testing balls, and any other object passed through the fitting shall be constructed such that it does not damage the fitting's lining when transported through it. Seller will not be responsible for buried sewer fittings that are incompatible with the aforementioned objects if that inside diameter that has not been assessed prior to installation.

STAR<sup>®</sup> PIPE PRODUCTS





# TABLE OF CONTENTS

PRODUCTS

E-SECTION

F-SECTION

G-SECTION

H-SECTION

	<b>GENERAL TERMS &amp; CONDITIONS</b>	pg. 2-3
	<b>STARGRIP®</b> Series 3000, 3000P, 3000S, 3000OS, 3000OSP, 3000T, 3100P, 3100S Mechanical Joint Wedge Action Restraints for Ductile Iron pipe.	pg. 7-12 Nominal pipe size: 3" - 48"
	<b>PVC STARGRIP®</b> Series 4000G2, 4000, 4000P, 4100P, 4400 Mechanical Joint Wedge Action Restraint for C900/C905 and IPS PVC pipe.	pg. 13-17 Nominal pipe size: 3" - 36"
	<b>PVC PIPE RESTRAINERS</b> Series 1000, 1100, 1200 Joint Restraint for Mechanical Joint and Push On fittings for C900/C905 and IPS PVC pipe to pipe connections and PVC pressure fittings.	pg. 18-21 Nominal pipe size: 4" - 48"
	<b>STARFLEX™</b> Series 5000, 5100, 5200, 5300 Flexible expansion joint for the protection of water, wastewater and industrial pipelines.	pg. 22 Nominal pipe size: 3" - 48"
	<b>ALL STARGRIP®</b> Series 4300 Joint Restraint for Mechanical Joint fittings (AWWA C153 or C110), valves, fire hydrants on a variety of ductile iron, Steel and plastic pressure pipes	pg. 23 Nominal pipe size: 4" - 12"
	<b>STARFLANGE™</b> Series 3200 - for Ductile Iron pipe <b>PVC STARFLANGE™</b> Series 4200 - for PVC pipe	pg. 24-25 Nominal pipe size: 3" - 36"
	<b>SUPER FLANGE™</b> Series 7200 Adapts Ductile Iron, PVC & Steel Pipe to Flange Connections.	pg. 26 Nominal pipe size: 3" - 36"
	<b>MJ x MJ ADAPTER</b> Series 100 For MJ bell connections	pg. 27 Nominal pipe size: 3" - 36"
	<b>ADAPTER FLANGE</b> Series 200, 400 Flange adapters for Ductile Iron and Steel pipe. Standard and heavy duty.	pg. 28 Nominal pipe size: 3" - 36"
	<b>HARDWARE</b> Zinc anode nut & STARLUG	pg. 29

STAR PIPE PRODUCTS

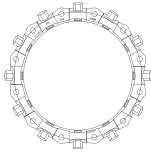


**NOTES:**

Lined area for handwritten notes.

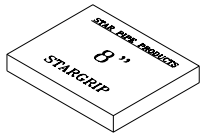
**STAR<sup>®</sup> PIPE PRODUCTS**





**STARGRIP® Series 3000**  
**Mechanical Joint Wedge Action Restraint for Ductile Iron Pipe**

NOM SIZE	MULTI-COAT ITEM CODE	MULTI-COAT LIST PRICE	STARBOND ITEM CODE	STARBOND LIST PRICE	CRT QTY	WT
3	SGDP03N	\$59.55	SGDPS03N	\$61.93	200	7
4	SGDP04N	\$63.10	SGDPS04N	\$65.63	200	9
6	SGDP06N	\$74.21	SGDPS06N	\$77.17	90	13
8	SGDP08N	\$111.52	SGDPS08N	\$115.98	90	17
10	SGDP10N	\$165.29	SGDPS10N	\$171.90	40	23
12	SGDP12	\$240.82	SGDPS12	\$250.46	40	31
14	SGDP14	\$319.66	SGDPS14	\$332.45	40	54
16	SGDP16	\$456.21	SGDPS16	\$474.46	10	60
18	SGDP18	\$646.23	SGDPS18	\$672.08	12	69
20	SGDP20	\$802.59	SGDPS20	\$834.69	12	72
24	SGDP24	\$1,114.40	SGDPS24	\$1,158.97	10	120
30	SGDP30	\$2,813.76	SGDPS30	\$2,926.32	9	197
36	SGDP36	\$3,586.33	SGDPS36	\$3,729.79	9	242
42	SGDP42	sold w/acc	SGDPS42	sold w/acc	4	425
48	SGDP48	sold w/acc	SGDPS48	sold w/acc	4	500
54	N/A	N/A	SGDPS54N	sold w/acc		581
60	N/A	N/A	SGDPS60N	sold w/acc		636



**STARGRIP® Series 3000P**  
**Mechanical Joint Wedge Action Restraint for Ductile Iron Pipe**  
**Packaged With Accessories**

NOM SIZE	MULTI-COAT ITEM CODE	MULTI-COAT LIST PRICE	STARBOND ITEM CODE	STARBOND LIST PRICE	CRT QTY	WT
3	SGDPPK03N	\$91.20	SGDPPKS03N	\$94.85	200	10
4	SGDPPK04N	\$99.28	SGDPPKS04N	\$103.25	160	12
6	SGDPPK06N	\$122.63	SGDPPKS06N	\$127.54	132	18
8	SGDPPK08N	\$167.10	SGDPPKS08N	\$173.78	99	22
10	SGDPPK10N	\$237.63	SGDPPKS10N	\$247.14	44	30
12	SGDPPK12	\$319.38	SGDPPKS12	\$332.15	44	39
14	SGDPPK14	\$424.80	SGDPPKS14	\$441.80		64
16	SGDPPK16	\$573.09	SGDPPKS16	\$596.01		71
18	SGDPPK18	\$775.00	SGDPPKS18	\$805.99		80
20	SGDPPK20	\$945.66	SGDPPKS20	\$983.49		84
24	SGDPPK24	\$1,281.40	SGDPPKS24	\$1,332.66		135
30	SGDPPK30	\$2,844.92	SGDPPKS30	\$2,958.72		241
36	SGDPPK36	\$3,625.53	SGDPPKS36	\$3,770.56		295
42	SGDPPK42	\$5,505.67	SGDPPKS42	\$5,725.90		487
48	SGDPPK48	\$7,036.54	SGDPPKS48	\$7,318.00		571
54	N/A	N/A	SGDPPKS54N	CALL		768
60	N/A	N/A	SGDPPKS60N	CALL		824

**PLEASE CALL:**

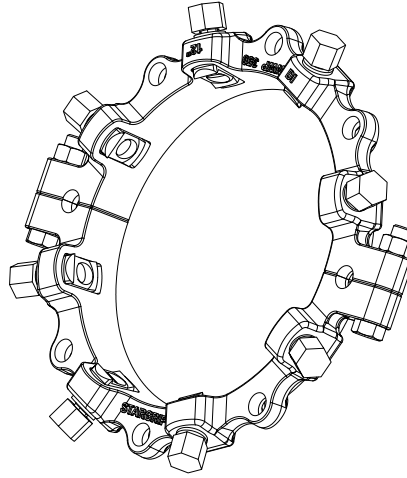
...FOR SPECIAL COATINGS	...FOR STAINLESS STEEL & STAR BLUE ACCESSORIES
-------------------------	--

**STAR® PIPE PRODUCTS**





**SPLIT STARGRIP® Series 3000S**  
**Split Mechanical Joint Wedge Action Restraint**  
**for New or Existing Ductile Iron Pipe, Packaged with Accessories**



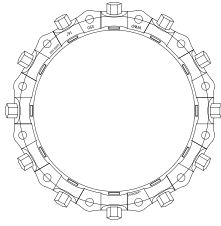
NOM SIZE	MULTI-COAT ITEM CODE	MULTI-COAT LIST PRICE	STARBOND ITEM CODE	STARBOND LIST PRICE	WT
3	SGDPPK03S	\$187.09	SGDPPKS03S	\$194.57	12
4	SGDPPK04S	\$211.40	SGDPPKS04S	\$219.85	15
6	SGDPPK06S	\$298.43	SGDPPKS06S	\$310.36	21
8	SGDPPK08S	\$367.45	SGDPPKS08S	\$382.14	22
10	SGDPPK10S	\$458.76	SGDPPKS10S	\$477.11	32
12	SGDPPK12S	\$569.82	SGDPPKS12S	\$592.60	44
14	SGDPPK14S	\$1,246.90	SGDPPKS14S	\$1,296.77	60
16	SGDPPK16S	\$1,396.13	SGDPPKS16S	\$1,451.97	69
18	SGDPPK18S	\$1,715.07	SGDPPKS18S	\$1,783.67	74
20	SGDPPK20S	\$2,136.14	SGDPPKS20S	\$2,221.57	90
24	SGDPPK24S	\$3,530.85	SGDPPKS24S	\$3,672.08	155
30	SGDPPK30S	\$5,401.21	SGDPPKS30S	\$5,617.25	239
36	SGDPPK36S	\$7,105.55	SGDPPKS36S	\$7,389.76	286
42	SGDPPK42S	\$9,043.96	SGDPPKS42S	\$9,405.72	685
48	SGDPPK48S	\$13,690.22	SGDPPKS48S	\$14,237.84	783

**PLEASE CALL:**

...FOR SPECIAL COATINGS	...FOR STAINLESS STEEL & STAR BLUE ACCESSORIES
-------------------------	--

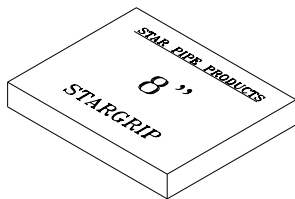
**STAR® PIPE PRODUCTS**





**STARGRIP® Series 3000OS**  
**Oversized Mechanical Joint Wedge Action Restraint**  
**for Pit Cast Pipe**

NOM SIZE	MULTI-COAT ITEM CODE	MULTI-COAT LIST PRICE	STARBOND ITEM CODE	STARBOND LIST PRICE	CRT QTY	WT
4	SGDPOS04	\$125.00	N/A	N/A	200	9
6	SGDPOS06	\$138.37	N/A	N/A	90	13
8	SGDPOS08	\$192.35	N/A	N/A	90	18
10	SGDPOS10	\$238.94	N/A	N/A	40	23
12	SGDPOS12	\$320.12	N/A	N/A	40	31
14	SGDPOS14	\$451.57	N/A	N/A		54
16	SGDPOS16	\$595.02	N/A	N/A		60



**STARGRIP® Series 3000OSP**  
**Oversized Mechanical Joint Wedge Action Restraint**  
**for Pit Cast Pipe**  
**Packaged with Accessories**

NOM SIZE	MULTI-COAT ITEM CODE	MULTI-COAT LIST PRICE	STARBOND ITEM CODE	STARBOND LIST PRICE	CRT QTY	WT
4	SGDPOSPK04	\$169.91	N/A	N/A	160	12
6	SGDPOSPK06	\$196.50	N/A	N/A	132	18
8	SGDPOSPK08	\$258.19	N/A	N/A	99	24
10	SGDPOSPK10	\$325.12	N/A	N/A	44	30
12	SGDPOSPK12	\$415.78	N/A	N/A	44	39
14	SGDPOSPK14	\$570.03	N/A	N/A		64
16	SGDPOSPK16	\$732.35	N/A	N/A		71

PLEASE CALL:

...FOR SPECIAL COATINGS	...FOR STAINLESS STEEL & STAR BLUE ACCESSORIES
-------------------------	--

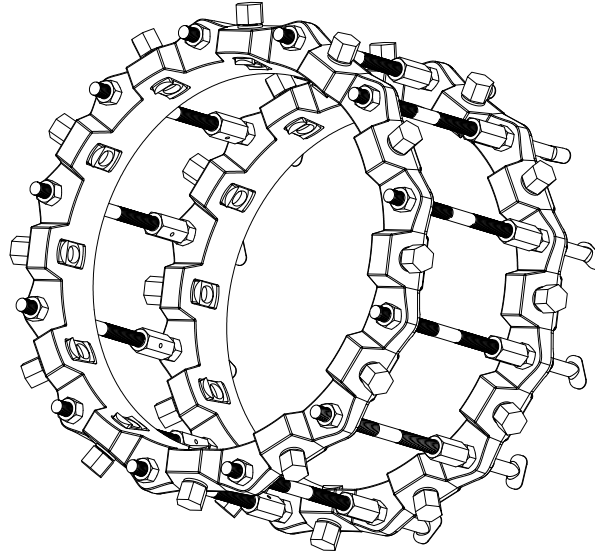
STAR PIPE PRODUCTS  
STAR<sup>®</sup> PIPE PRODUCTS



\* REGISTERED TRADEMARK OF STAR PIPE PRODUCTS

STAR PIPE PRODUCTS  
HOUSTON CORPORATE TOLL FREE 1-800-999-3009 FAX 281-558-9000  
www.starpipeproducts.com

**TANDEM STARGRIP® Series 3000T**  
**Mechanical Joint Wedge Action Restraint**  
**for High Pressure Ductile Iron Pipe to MJ Fitting Applications**



NOM SIZE	MULTI-COAT ITEM CODE	MULTI-COAT LIST PRICE	STARBOND ITEM CODE	STARBOND LIST PRICE	WT
3	SGDP03TMN	CALL	SGDPS03TMN	CALL	18
4	SGDP04TMN	CALL	SGDPS04TMN	CALL	28
6	SGDP06TMN	CALL	SGDPS06TMN	CALL	41
8	SGDP08TMN	CALL	SGDPS08TMN	CALL	49
10	SGDP10TMN	CALL	SGDPS10TMN	CALL	69
12	SGDP12TM	CALL	SGDPS12TM	CALL	88
14	SGDP14TM	CALL	SGDPS14TM	CALL	141
16	SGDP16TM	CALL	SGDPS16TM	CALL	159
18	SGDP18TM	CALL	SGDPS18TM	CALL	177
20	SGDP20TM	CALL	SGDPS20TM	CALL	191
24	SGDP24TM	CALL	SGDPS24TM	CALL	294
30	SGDP30TM	CALL	SGDPS30TM	CALL	520
36	SGDP36TM	CALL	SGDPS36TM	CALL	616
42	SGDP42TM	CALL	SGDPS42TM	CALL	1118
48	SGDP48TM	CALL	SGDPS48TM	CALL	1357

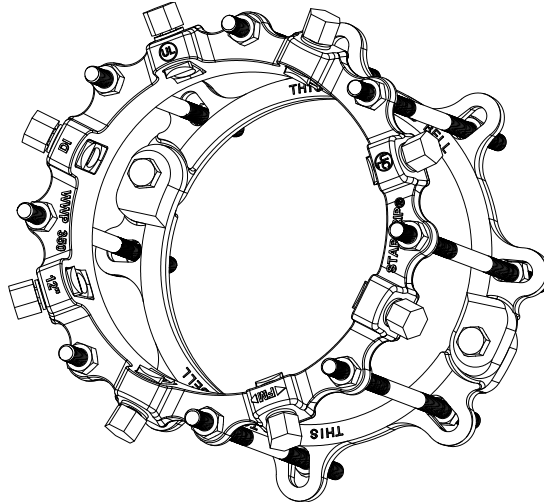
**PLEASE CALL:**

...FOR SPECIAL COATINGS	...FOR STAINLESS STEEL & STAR BLUE ACCESSORIES
-------------------------	--

**STAR® PIPE PRODUCTS**



**STARGRIP® Series 3100P Wedge Action Restrainer  
For Push-On Joints of Ductile Iron Pipe Bells (New Installations Only)**



STAR<sup>®</sup> PIPE PRODUCTS

NOM SIZE	MULTI-COAT ITEM CODE	MULTI-COAT LIST PRICE	STARBOND ITEM CODE	STARBOND LIST PRICE	WT
3	SGDPGF03N	\$123.92	SGDPGFS03N	\$128.87	19
4	SGDPGF04N	\$126.26	SGDPGFS04N	\$131.31	23
6	SGDPGF06N	\$186.94	SGDPGFS06N	\$194.40	35
8	SGDPGF08N	\$243.50	SGDPGFS08N	\$253.23	42
10	SGDPGF10N	\$426.71	SGDPGFS10N	\$443.77	60
12	SGDPGF12	\$533.96	SGDPGFS12	\$555.32	76
14	SGDPGF14	\$1,073.15	SGDPGFS14	\$1,116.07	121
16	SGDPGF16N	\$1,197.01	SGDPGFS16N	\$1,244.89	142
18	SGDPGF18	\$1,319.96	SGDPGFS18	\$1,372.76	165
20	SGDPGF20	\$1,871.48	SGDPGFS20	\$1,946.33	192
24	SGDPGF24N	\$2,423.95	SGDPGFS24N	\$2,520.90	276
30	SGDPGF30	\$4,601.07	SGDPGFS30	\$4,785.11	499
36	SGDPGF36	\$6,729.32	SGDPGFS36	\$6,998.48	576
42	**SGDPG42	\$13,961.28	**SGDPGS42	\$14,519.73	1176
48	**SGDPG48	\$18,180.75	**SGDPGS48	\$18,907.97	1379

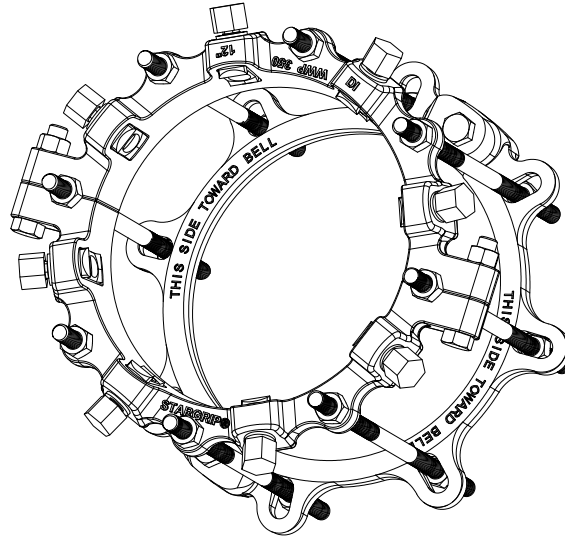
\*The connecting rods of the 3100P will NOT clear pipe bells larger than Max Bell OD Listed.  
\*\*For sizes 42" & 48" two STARGRIPS® are provided; one on the spigot and one behind the bell.

PLEASE CALL:

...FOR SPECIAL COATINGS	...FOR STAINLESS STEEL & STAR BLUE ACCESSORIES
-------------------------	--



**SPLIT STARGRIP® Series 3100S**  
**Split Wedge Action Restrainer**  
**For Push-On Joints of Ductile Iron Pipe Bells (For New & Existing Installations)**

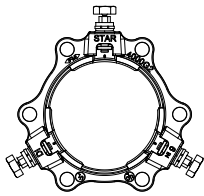


NOM SIZE	MULTI-COAT ITEM CODE	MULTI-COAT LIST PRICE	STARBOND ITEM CODE	STARBOND LIST PRICE	WT
3	SGDPG03S	\$365.48	SGDPGS03S	\$380.10	20
4	SGDPG04S	\$392.53	SGDPGS04S	\$408.23	24
6	SGDPG06S	\$560.06	SGDPGS06S	\$582.46	35
8	SGDPG08S	\$667.81	SGDPGS08S	\$694.52	43
10	SGDPG10S	\$1,088.82	SGDPGS10S	\$1,132.37	62
12	SGDPG12S	\$1,306.66	SGDPGS12S	\$1,358.92	77
14	SGDPG14S	\$1,871.48	SGDPGS14S	\$1,946.33	122
16	SGDPG16SN	\$2,197.06	SGDPGS16SN	\$2,284.93	142
18	SGDPG18S	\$2,709.67	SGDPGS18S	\$2,818.05	154
20	SGDPG20S	\$3,360.39	SGDPGS20S	\$3,494.80	186
24	SGDPG24SN	\$4,238.47	SGDPGS24SN	\$4,408.00	288
30	SGDPG30S	\$6,341.08	SGDPGS30S	\$6,594.72	485
36	SGDPG36S	\$8,960.57	SGDPGS36S	\$9,318.99	600
42	SGDPG42S	\$16,157.39	SGDPGS42S	\$16,803.68	1176
48	SGDPG48S	\$23,103.62	SGDPGS48S	\$24,027.76	1366

**PLEASE CALL:**

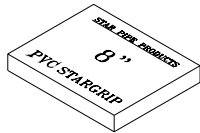
...FOR SPECIAL COATINGS	...FOR STAINLESS STEEL & STAR BLUE ACCESSORIES
-------------------------	--

**STAR® PIPE PRODUCTS**



**PVC STARGRIP® Series 4000**  
**Mechanical Joint Wedge Action Restraint for Plastic Pressure Pipe**

NOM SIZE	MULTI-COAT ITEM CODE	MULTI-COAT LIST PRICE	STARBOND ITEM CODE	STARBOND LIST PRICE	CRT QTY	WT
3	PVC4003G2	\$71.10	PVCS4003G2	\$73.95	200	6
4	PVC4004G2	\$76.43	PVCS4004G2	\$79.49	200	7
6	PVC4006G2	\$92.87	PVCS4006G2	\$96.58	90	10
8	PVC4008G2	\$137.30	PVCS4008G2	\$142.79	90	15
10	PVC4010G2	\$259.50	PVCS4010G2	\$269.88	40	21
12	PVC4012G2	\$273.27	PVCS4012G2	\$284.21	40	25
14	PVC4014GN	\$450.66	PVCS4014GN	\$468.68	40	50
16	PVC4016GN	\$606.10	PVCS4016GN	\$630.35	10	60
18	PVC4018GN	\$752.33	PVCS4018GN	\$782.42	12	65
20	PVC4020GN	\$932.21	PVCS4020GN	\$969.50	12	76
24	PVC4024GN	\$1,076.59	PVCS4024GN	\$1,119.66	10	98
30	PVC4030GN	\$3,269.43	PVCS4030GN	\$3,400.21	9	173
36	PVC4036N	\$3,988.55	PVCS4036N	\$4,148.09	9	219
42	PVC4042	sold w/acc	PVCS4042	sold w/acc		435
48	PVC4048	sold w/acc	PVCS4048	sold w/acc		530



**PVC STARGRIP® Series 4000P**  
**Mechanical Joint Wedge Action Restraint for Plastic Pressure Pipe**  
**Packaged With Accessories**

NOM SIZE	MULTI-COAT ITEM CODE	MULTI-COAT IPS OD ITEM CODE	MULTI-COAT LIST PRICE	STARBOND ITEM CODE	STARBOND IPS OD ITEM CODE	STARBOND LIST PRICE	CRT QTY	WT
3	N/A	PVCPKT4003G2	\$106.01	N/A	PVCPKST4003G2	\$110.25		
4	PVCPK4004G2	PVCPKT4004G2	\$114.10	PVCPKS4004G2	PVCPKST4004G2	\$118.67	132	10.2
6	PVCPK4006G2	PVCPKT4006G2	\$142.85	PVCPKS4006G2	PVCPKST4006G2	\$148.56	99	14.8
8	PVCPK4008G2	PVCPKT4008G2	\$192.71	PVCPKS4008G2	PVCPKST4008G2	\$200.41	60	21.1
10	PVCPK4010G2	PVCPKT4010G2	\$335.55	PVCPKS4010G2	PVCPKST4010G2	\$348.98	40	29.2
12	PVCPK4012G2	PVCPKT4012G2	\$352.16	PVCPKS4012G2	PVCPKST4012G2	\$366.24	40	33.1
14	PVCPK4014N		\$554.91	PVCPKS4014N		\$577.11		60.0
16	PVCPK4016N		\$725.57	PVCPKS4016N		\$754.59		70.0
18	PVCPK4018N		\$880.86	PVCPKS4018N		\$916.10		75.0
20	PVCPK4020N		\$1,078.56	PVCPKS4020N		\$1,121.71		88.0
24	PVCPK4024N		\$1,249.23	PVCPKS4024N		\$1,299.19		113.0
30	PVCPK4030N		\$3,305.16	PVCPKS4030N		\$3,437.36		217.0
36	PVCPK4036N		\$4,032.14	PVCPKS4036N		\$4,193.43		272.0
42	PVCPK4042		\$9,146.62	PVCPKS4042		\$9,512.49		435
48	PVCPK4048		\$11,842.35	PVCPKS4048		\$12,316.04		530

PLEASE CALL:

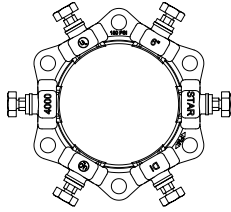
...FOR SPECIAL COATINGS	...FOR STAINLESS STEEL & STAR BLUE ACCESSORIES
-------------------------	--

STAR® PIPE PRODUCTS



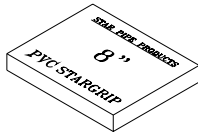
\* REGISTERED TRADEMARK OF STAR PIPE PRODUCTS

STAR PIPE PRODUCTS  
HOUSTON CORPORATE TOLL FREE 1-800-999-3009 FAX 281-558-9000  
www.starpipeproducts.com



**PVC STARGRIP® Series 4000HD**  
**Mechanical Joint Wedge Action Restraint for Plastic Pressure Pipe**

NOM SIZE	MULTI-COAT ITEM CODE	MULTI-COAT LIST PRICE	STARBOND ITEM CODE	STARBOND LIST PRICE	CRT QTY	WT
3	PVC4003N	\$72.96	PVCS4003N	\$75.89	200	7
4	PVC4004N	\$78.43	PVCS4004N	\$81.57	200	9
6	PVC4006N	\$95.31	PVCS4006N	\$99.12	90	13
8	PVC4008N	\$140.92	PVCS4008N	\$146.56	90	17
10	PVC4010N	\$266.33	PVCS4010N	\$276.99	40	23
12	PVC4012N	\$280.46	PVCS4012N	\$291.67	40	28



**PVC STARGRIP® Series 4000HDP**  
**Mechanical Joint Wedge Action Restraint for Plastic Pressure Pipe**  
**Packaged With Accessories**

NOM SIZE	MULTI-COAT ITEM CODE	MULTI-COAT IPS OD ITEM CODE	MULTI-COAT LIST PRICE	STARBOND ITEM CODE	STARBOND IPS OD ITEM CODE	STARBOND LIST PRICE	CRT QTY	WT
3	N/A	PVCPKT4003N	\$110.74	N/A	PVCPKST4003N	\$115.17	132	10
4	PVCPK4004N	PVCPKT4004N	\$119.19	PVCPKS4004N	PVCPKST4004N	\$123.97	132	12
6	PVCPK4006N	PVCPKT4006N	\$149.23	PVCPKS4006N	PVCPKST4006N	\$155.20	99	18
8	PVCPK4008N	PVCPKT4008N	\$201.31	PVCPKS4008N	PVCPKST4008N	\$209.36	60	23
10	PVCPK4010N	PVCPKT4010N	\$350.52	PVCPKS4010N	PVCPKST4010N	\$364.54	40	31
12	PVCPK4012N	PVCPKT4012N	\$367.88	PVCPKS4012N	PVCPKST4012N	\$382.60	40	37

PLEASE CALL:

...FOR SPECIAL COATINGS	...FOR STAINLESS STEEL & STAR BLUE ACCESSORIES
-------------------------	--

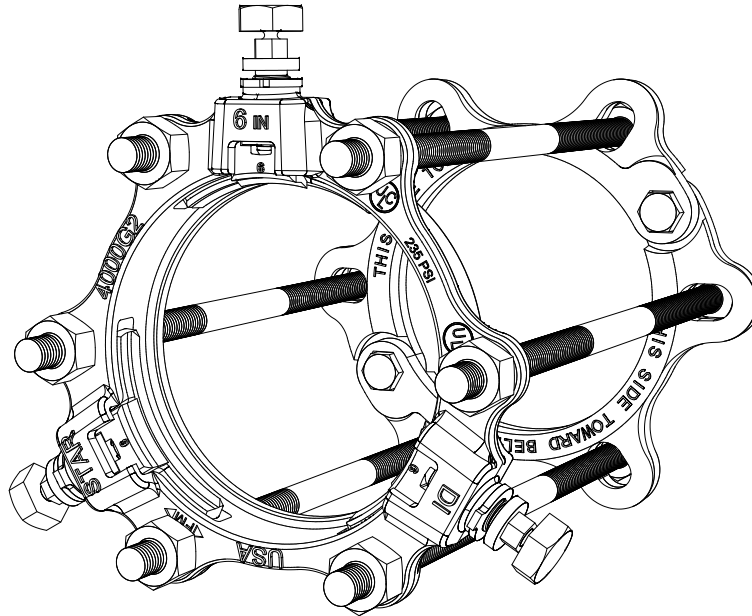
\* REGISTERED TRADEMARK OF STAR PIPE PRODUCTS



STAR PIPE PRODUCTS



**PVC STARGRIP® Series 4100P Wedge Action Restrainer  
for AWWA C900/C909 PVC Pipe Bells (CI OD) (New Installations Only)**



NOM SIZE	MULTI-COAT ITEM CODE	MULTI-COAT LIST PRICE	STARBOND ITEM CODE	STARBOND LIST PRICE	WT
4	PVCG4004G2	\$223.12	PVCGS4004G2	\$232.04	22
6	PVCG4006G2	\$282.55	PVCGS4006G2	\$293.85	31
8	PVCG4008G2	\$374.00	PVCGS4008G2	\$388.96	40
10	PVCG4010G2	\$680.79	PVCGS4010G2	\$708.02	59
12	PVCG4012G2	\$708.68	PVCGS4012G2	\$737.03	67

{ For Sizes 14" - 36", see Series 4400 }

STAR® PIPE PRODUCTS

PLEASE CALL:

...FOR SPECIAL COATINGS	...FOR STAINLESS STEEL & STAR BLUE ACCESSORIES
-------------------------	--

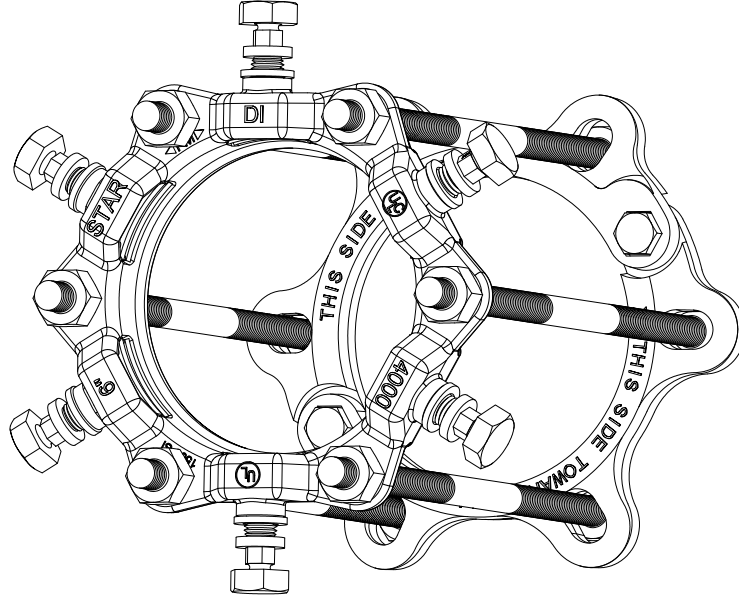


\* REGISTERED TRADEMARK OF STAR PIPE PRODUCTS

STAR PIPE PRODUCTS  
HOUSTON CORPORATE TOLL FREE 1-800-999-3049 FAX 281-558-9000  
www.starpipeproducts.com



**PVC STARGRIP® Series 4100HDP Wedge Action Restrainer  
for AWWA C900/C909 PVC Pipe Bells (CI OD) (New Installations Only)**



NOM SIZE	MULTI-COAT ITEM CODE	MULTI-COAT LIST PRICE	STARBOND ITEM CODE	STARBOND LIST PRICE	WT
4	PVCG4004N	\$226.63	PVCGS4004N	\$235.70	24
6	PVCG4006N	\$286.82	PVCGS4006N	\$298.30	35
8	PVCG4008N	\$380.32	PVCGS4008N	\$395.53	43
10	PVCG4010N	\$692.72	PVCGS4010N	\$720.43	62
12	PVCG4012N	\$721.22	PVCGS4012N	\$750.07	74

{ For Sizes 14" - 36", see Series 4400 }

**PLEASE CALL:**

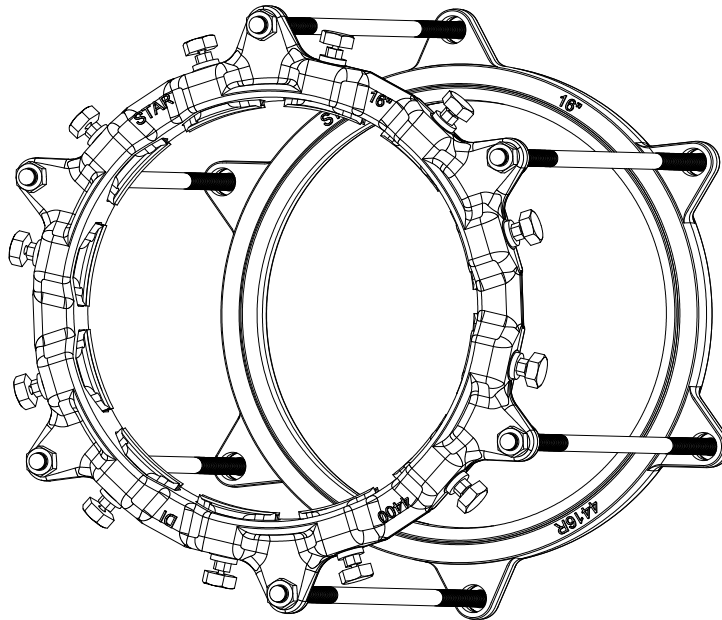
...FOR SPECIAL COATINGS	...FOR STAINLESS STEEL & STAR BLUE ACCESSORIES
-------------------------	--

STAR® PIPE PRODUCTS





**PVC STARGRIP® Series 4400 Wedge Action Bell Restrainer  
for AWWA C900 PVC Pipe Bells (CI OD) (New Installations Only)**

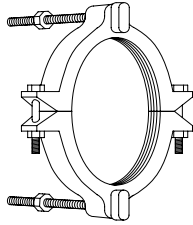


STAR® PIPE PRODUCTS

NOM SIZE	MULTI-COAT ITEM CODE	MULTI-COAT LIST PRICE	STARBOND ITEM CODE	STARBOND LIST PRICE	WT
14	PVC4414	\$1,101.63	PVCS4414	\$1,145.70	109
16	PVC4416	\$1,120.13	PVCS4416	\$1,164.93	134
18	PVC4418	\$1,386.88	PVCS4418	\$1,442.35	145
20	PVC4420	\$1,958.71	PVCS4420	\$2,037.06	171
24	PVC4424	\$2,886.08	PVCS4424	\$3,001.53	265
30	PVC4430	\$5,531.34	PVCS4430	\$5,752.59	409
36	PVC4436	\$7,021.37	PVCS4436	\$7,302.23	497

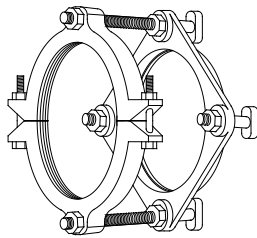


IMP-JRPL.22.01



**PVC RESTRAINERS Series 1000C  
for AWWA C900/C909 PVC/PVCO Pipe  
with Ductile Iron Push-On Fittings**

NOM SIZE	MULTI-COAT ITEM CODE	MULTI-COAT LIST PRICE	STARBOND ITEM CODE	STARBOND LIST PRICE	CRT QTY	WT
4	PRC1004G2	\$70.47	PRCS1004G2	\$73.28	300	7
6	PRC1006G2	\$86.52	PRCS1006G2	\$89.98	234	8
8	PRC1008G2	\$144.21	PRCS1008G2	\$149.98	132	15
10	PRC1010G2	\$242.27	PRCS1010G2	\$251.97	88	26
12	PRC1012G2	\$259.15	PRCS1012G2	\$269.51	88	31
14	PRC1014N	\$527.06	PRCS1014N	\$548.14		55
16	PRC1016	\$548.64	PRCS1016	\$570.59		62
18	PRC1018	\$658.38	PRCS1018	\$684.72		78
20	PRC1020	\$907.99	PRCS1020	\$944.30		113
24	PRC1024	\$1,392.99	PRCS1024	\$1,448.71		145
30	PRC1030	\$2,476.08	PRCS1030	\$2,575.11		247
36	PRC1036	\$2,971.82	PRCS1036	\$3,090.70		354
42	PRC1042ST	\$8,035.73	PRCS1042ST	\$8,357.17		701
48	PRC1048ST	\$8,814.13	PRCS1048ST	\$9,166.70		764



**PVC RESTRAINERS Series 1000CP  
for AWWA C900/C909 PVC/PVCO Pipe  
with Mechanical Joint Fittings**

NOM SIZE	MULTI-COAT ITEM CODE	MULTI-COAT LIST PRICE	STARBOND ITEM CODE	STARBOND LIST PRICE	WT
4	PRCP1004G2	\$118.66	PRCPS1004G2	\$123.41	14
6	PRCP1006G2	\$149.42	PRCPS1006G2	\$155.40	18
8	PRCP1008G2	\$217.52	PRCPS1008G2	\$226.21	26
10	PRCP1010G2	\$348.43	PRCPS1010G2	\$362.37	42
12	PRCP1012G2	\$371.71	PRCPS1012G2	\$386.58	47
14	PRCP1014N	\$674.66	PRCPS1014N	\$701.64	78
16	PRCP1016	\$706.27	PRCPS1016	\$734.52	92
18	PRCP1018	\$871.52	PRCPS1018	\$906.38	118
20	PRCP1020	\$1,392.37	PRCPS1020	\$1,448.07	168
24	PRCP1024	\$1,646.06	PRCPS1024	\$1,711.89	223
30	PRCP1030	\$3,743.90	PRCPS1030	\$3,893.66	396
36	PRCP1036	\$4,702.23	PRCPS1036	\$4,890.32	547
42	PRCP1042ST	\$10,456.57	PRCPS1042ST	\$10,874.84	936
48	PRCP1048ST	\$11,925.97	PRCPS1048ST	\$12,403.00	1053

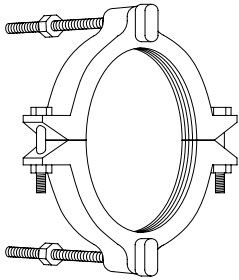
**PLEASE CALL:**

...FOR SPECIAL COATINGS	...FOR STAINLESS STEEL & STAR BLUE ACCESSORIES
-------------------------	--

\* REGISTERED TRADEMARK OF STAR PIPE PRODUCTS

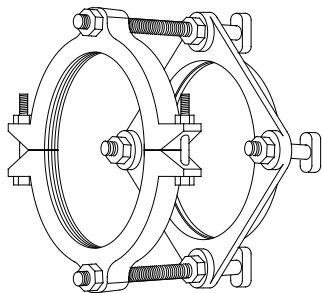


STAR<sup>®</sup> PIPE PRODUCTS



**PVC RESTRAINERS Series 1000S  
for IPS OD PVC Pipe to Push-On Fittings**

NOM SIZE	MULTI-COAT ITEM CODE	MULTI-COAT LIST PRICE	STARBOND ITEM CODE	STARBOND LIST PRICE	CRT QTY	WT
4	PRS1004	\$75.21	PRSS1004	\$78.22	300	8
6	PRS1006	\$92.16	PRSS1006	\$95.85	234	9
8	PRS1008	\$123.46	PRSS1008	\$128.40	132	16
10	PRS1010	\$258.21	PRSS1010	\$268.54	88	21
12	PRS1012	\$276.05	PRSS1012	\$287.08	88	23



**PVC RESTRAINERS Series 1000SP  
for IPS OD PVC Pipe to Mechanical Joint Fittings  
With MJ Transition Accessories**

NOM SIZE	MULTI-COAT ITEM CODE	MULTI-COAT LIST PRICE	STARBOND ITEM CODE	STARBOND LIST PRICE	WT
4	PRSP1004	\$125.64	PRSPS1004	\$130.67	14
6	PRSP1006	\$157.21	PRSPS1006	\$163.50	20
8	PRSP1008	\$197.28	PRSPS1008	\$205.18	28
10	PRSP1010	\$368.93	PRSPS1010	\$383.69	38
12	PRSP1012	\$391.41	PRSPS1012	\$407.06	42

PLEASE CALL:

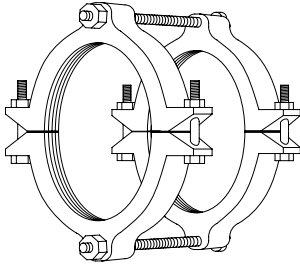
...FOR SPECIAL COATINGS	...FOR STAINLESS STEEL & STAR BLUE ACCESSORIES
-------------------------	--

STAR<sup>®</sup> PIPE PRODUCTS



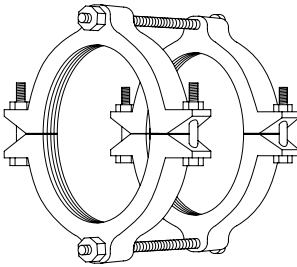
\* REGISTERED TRADEMARK OF STAR PIPE PRODUCTS

STAR PIPE PRODUCTS  
HOUSTON CORPORATE TOLL FREE 1-800-999-3009 FAX 281-558-9000  
www.starpipeproducts.com



**PVC RESTRAINERS Series 1100C**  
**Bell Restrainers for AWWA CI OD C900/C909**  
**PVC/PVCO Pipe Bells**

NOM SIZE	MULTI-COAT ITEM CODE	MULTI-COAT LIST PRICE	STARBOND ITEM CODE	STARBOND LIST PRICE	CRT QTY	WT
4	PRC1104G2	\$111.75	PRCS1104G2	\$116.22	130	13
6	PRC1106G2	\$139.91	PRCS1106G2	\$145.51	104	14
8	PRC1108G2	\$233.87	PRCS1108G2	\$243.23	66	27
10	PRC1110G2	\$406.41	PRCS1110G2	\$422.67	44	48
12	PRC1112G2	\$444.85	PRCS1112G2	\$462.65	44	57
14	PRC1114N	\$1,014.66	PRCS1114N	\$1,055.25		145
16	PRC1116	\$1,031.70	PRCS1116	\$1,072.97		117
18	PRC1118	\$1,277.39	PRCS1118	\$1,328.48		147
20	PRC1120	\$1,804.08	PRCS1120	\$1,876.24		221
24	PRC1124	\$2,658.24	PRCS1124	\$2,764.57		288
30	PRC1130	\$5,094.66	PRCS1130	\$5,298.44		492
36	PRC1136	\$6,467.06	PRCS1136	\$6,725.74		753
42	PRC1142ST	\$15,064.68	PRCS1142ST	\$15,667.26		1353
48	PRC1148ST	\$16,733.36	PRCS1148ST	\$17,402.70		1479



**PVC RESTRAINERS Series 1100S**  
**Bell Restrainers for IPS OD PVC Pipe**

NOM SIZE	MULTI-COAT ITEM CODE	MULTI-COAT LIST PRICE	STARBOND ITEM CODE	STARBOND LIST PRICE	CRT QTY	WT
4	PRS1104	\$105.65	PRSS1104	\$109.87	130	16
6	PRS1106	\$125.19	PRSS1106	\$130.20	104	18
8	PRS1108	\$228.65	PRSS1108	\$237.80	66	32
10	PRS1110	\$397.31	PRSS1110	\$413.20	44	44
12	PRS1112	\$434.71	PRSS1112	\$452.10	44	49

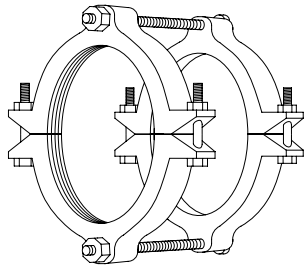
**PLEASE CALL:**

...FOR SPECIAL COATINGS	...FOR STAINLESS STEEL & STAR BLUE ACCESSORIES
-------------------------	--

\* REGISTERED TRADEMARK OF STAR PIPE PRODUCTS



STAR<sup>®</sup> PIPE PRODUCTS



**PVC RESTRAINER Series 1200C  
for AWWA C900/C909 PVC/PVCO Pipe  
with PVC Pressure Fittings**

NOM SIZE	MULTI-COAT ITEM CODE	MULTI-COAT LIST PRICE	STARBOND ITEM CODE	STARBOND LIST PRICE	CRT QTY	WT
4	PRC1204G2	\$111.25	PRCS1204G2	\$115.70	130	14
6	PRC1206G2	\$149.15	PRCS1206G2	\$155.11	104	17
8	PRC1208G2	\$243.50	PRCS1208G2	\$253.24	66	28
10	PRC1210G2	\$400.48	PRCS1210G2	\$416.51	44	43
12	PRC1212G2	\$467.63	PRCS1212G2	\$486.34	44	54

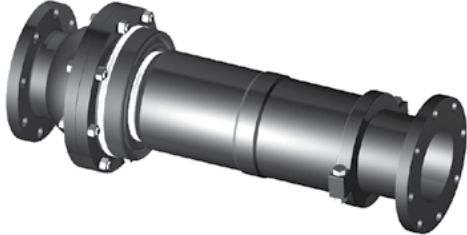
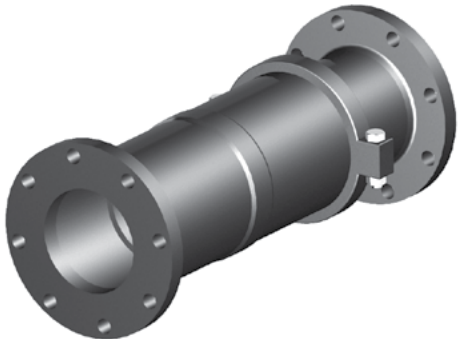
STAR<sup>®</sup> PIPE PRODUCTS

PLEASE CALL:

...FOR SPECIAL COATINGS	...FOR STAINLESS STEEL & STAR BLUE ACCESSORIES
-------------------------	--

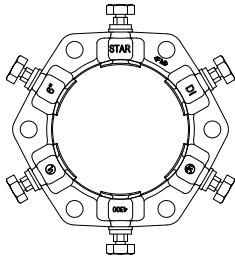


STARFLEX™  
Series 5000, 5100, 5200, 5300

	<p><b>Series 5000 STARFLEX™</b></p> <p><b>Double Ball Flexible Expansion Pipe Joint</b> (Sizes 3" to 48" -- Call for Price and Availability)</p>
	<p><b>Series 5100 STARFLEX™</b></p> <p><b>Single Ball Flexible Expansion Pipe Joint</b> (Sizes 3" to 48" -- Call for Price and Availability)</p>
	<p><b>Series 5200 STARFLEX™</b></p> <p><b>Single Ball Flexible Pipe Joint</b> (Sizes 3" to 48" -- Call for Price and Availability)</p>
	<p><b>Series 5300 STARFLEX™</b></p> <p><b>Expansion Pipe Joint</b> (Sizes 3" to 48" -- Call for Price and Availability)</p>

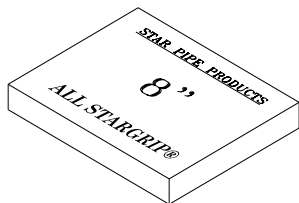
STAR PIPE PRODUCTS®

\* REGISTERED TRADEMARK OF STAR PIPE PRODUCTS



**ALL STARGRIP® Series 4300**  
**Mechanical Joint Wedge Action Restraint**  
**For Use on DIP/Steel/C900/C909/HDPE/IPS PVC Pipe**

NOM SIZE	MULTI-COAT ITEM CODE	MULTI-COAT LIST PRICE	STARBOND ITEM CODE	STARBOND LIST PRICE	CRT QTY	WT
4	ASG4304G2	\$78.71	N/A	N/A	200	9.5
6	ASG4306G2	\$95.65	N/A	N/A	90	13.4
8	ASG4308G2	\$141.43	N/A	N/A	90	21.0
10	ASG4310G2	\$267.28	N/A	N/A	40	28.7
12	ASG4312G2	\$281.47	N/A	N/A	40	32.8



**ALL STARGRIP® Series 4300P**  
**Mechanical Joint Wedge Action Restraint**  
**For Use on DIP/Steel/C900/C909/HDPE/IPS PVC Pipe,**  
**Packaged with Accessories**

NOM SIZE	MULTI-COAT ITEM CODE	MULTI-COAT LIST PRICE	STARBOND ITEM CODE	STARBOND LIST PRICE	CRT QTY	WT
4	ASGPK4304G2	\$119.64	N/A	N/A	132	13.1
6	ASGPK4306G2	\$149.74	N/A	N/A	99	18.7
8	ASGPK4308G2	\$202.02	N/A	N/A	60	26.8
10	ASGPK4310G2	\$351.79	N/A	N/A	40	36.3
12	ASGPK4312G2	\$369.21	N/A	N/A	40	40.4

**PLEASE CALL:**

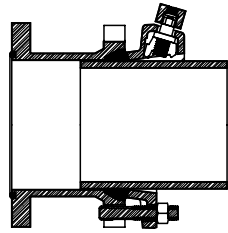
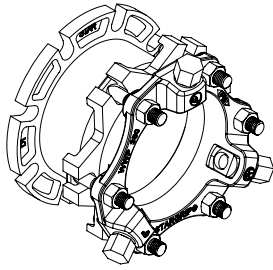
...FOR STAINLESS STEEL & STAR BLUE ACCESSORIES

STAR<sup>®</sup> PIPE PRODUCTS



\* REGISTERED TRADEMARK OF STAR PIPE PRODUCTS

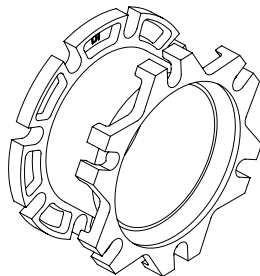
STAR PIPE PRODUCTS  
 HOUSTON CORPORATE TOLL FREE 1-800-999-3009 FAX 281-558-9000  
 www.starpipeproducts.com



\*Pipe Not Included

**STARFLANGE™ Series 3200**  
**Restrained Adapter Flange Coupling with STARGRIP®**  
**Series 3000 For Use on Ductile Iron Pipe**

NOM SIZE	MULTI-COAT ITEM CODE	MULTI-COAT LIST PRICE	STARBOND ITEM CODE	STARBOND LIST PRICE	WT
3	RAC3203N	\$228.78	RACS3203N	\$237.92	17
4	RAC3204N	\$252.96	RACS3204N	\$263.07	23
6	RAC3206N	\$378.12	RACS3206N	\$393.24	35
8	RAC3208N	\$593.93	RACS3208N	\$617.69	47
10	RAC3210N	\$817.52	RACS3210N	\$850.22	64
12	RAC3212	\$1,086.85	RACS3212	\$1,130.32	87
14	RAC3214	\$2,215.14	RACS3214	\$2,303.73	128
16	RAC3216	\$2,669.22	RACS3216	\$2,775.99	152
18	RAC3218	\$3,006.33	RACS3218	\$3,126.58	182
20	RAC3220	\$3,469.92	RACS3220	\$3,608.71	204
24	RAC3224	\$4,475.62	RACS3224	\$4,654.64	300
30	RAC3230	\$6,660.12	RACS3230	\$6,926.52	520
36	RAC3236	\$8,835.54	RACS3236	\$9,188.95	688



**STARFLANGE™ Adapter Flange Coupling ONLY**  
**(FBE Coated)**

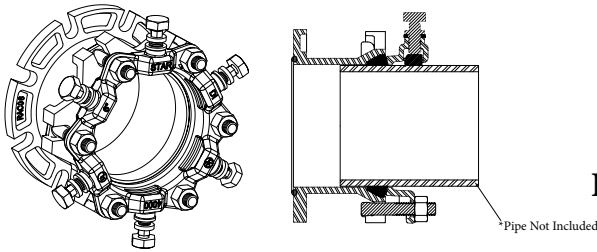
NOM SIZE	FBE-COATED ITEM CODE	FBE-COATED LIST PRICE	CRT QTY	WT
3	RAC03G	\$129.21	100	10
4	RAC04G	\$145.97	80	14
6	RAC06G	\$242.46	45	22
8	RAC08G	\$406.05	45	30
10	RAC10G	\$549.51	20	41
12	RAC12G	\$727.38	20	56
14	RAC14G	\$1,718.17	12	74
16	RAC16G	\$2,012.65	4	93
18	RAC18G	\$2,146.04	4	113
20	RAC20G	\$2,429.18	4	133
24	RAC24G	\$3,077.28	4	180
30	RAC30G	\$3,807.17	4	280
36	RAC36G	\$4,964.48	3	404

**PLEASE CALL:**

...FOR SPECIAL COATINGS	...FOR STAINLESS STEEL & STAR BLUE ACCESSORIES
-------------------------	--

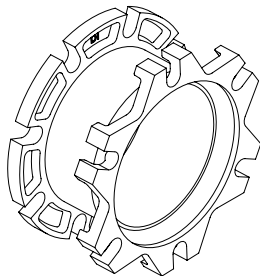
**STAR PIPE PRODUCTS**





**STARFLANGE™ Series 4200  
Restraint Adapter Flange Coupling  
with PVC STARGRIP® Series 4000  
For Use on Plastic Pressure Pipe and IPS PVC Pipe**

NOM SIZE	MULTI-COAT ITEM CODE	MULTI-COAT IPS OD ITEM CODE	MULTI-COAT LIST PRICE	STARBOND ITEM CODE	STARBOND IPS OD ITEM CODE	STARBOND LIST PRICE	WT
3	N/A	RACT4203G2	\$243.86	N/A	RACST4203G2	\$253.62	18
4	RAC4204G2	RACT4204G2	\$267.62	RACS4204G2	RACST4204G2	\$278.32	25
6	RAC4206G2	RACT4206G2	\$399.26	RACS4206G2	RACST4206G2	\$415.23	36
8	RAC4208G2	RACT4208G2	\$620.70	RACS4208G2	RACST4208G2	\$645.52	51
10	RAC4210G2	RACT4210G2	\$915.06	RACS4210G2	RACST4210G2	\$951.66	70
12	RAC4212G2	RACT4212G2	\$1,119.23	RACS4212G2	RACST4212G2	\$1,164.00	89
14	RAC4214N		\$2,397.29	RACS4214N		\$2,493.17	134
16	RAC4216N		\$2,815.54	RACS4216N		\$2,928.15	162
18	RAC4218N		\$3,330.06	RACS4218N		\$3,463.26	188
20	RAC4220N		\$3,729.31	RACS4220N		\$3,878.47	220
24	RAC4224N		\$4,795.45	RACS4224N		\$4,987.26	293
30	RAC4230N		\$7,192.76	RACS4230N		\$7,480.46	454
36	RAC4236N		\$9,057.40	RACS4236N		\$9,419.69	623



**STARFLANGE™ Adapter Flange Coupling ONLY  
(FBE Coated)**

NOM SIZE	FBE-COATED ITEM CODE	FBE-COATED LIST PRICE	CRT QTY	WT
3	RAC03G	\$129.20	100	10
4	RAC04G	\$145.97	80	14
6	RAC06G	\$242.45	45	22
8	RAC08G	\$406.04	45	30
10	RAC10G	\$549.50	20	41
12	RAC12G	\$727.37	20	56
14	RAC14G	\$1,718.17	12	74
16	RAC16G	\$2,012.65	4	93
18	RAC18G	\$2,146.04	4	113
20	RAC20G	\$2,429.18	4	133
24	RAC24G	\$3,077.27	4	180
30	RAC30G	\$3,807.16	4	280
36	RAC36G	\$4,964.48	3	404

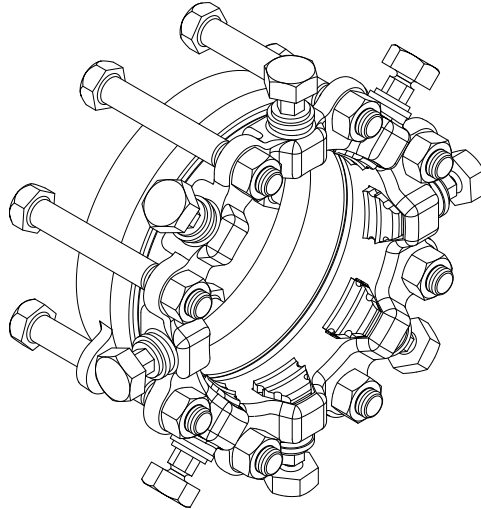
PLEASE CALL:

...FOR SPECIAL COATINGS	...FOR STAINLESS STEEL & STAR BLUE ACCESSORIES
-------------------------	--

STAR® PIPE PRODUCTS



**SUPER FLANGE™ Series 7200**  
**Restrained Adapter Flange Coupling**  
**For Use on Ductile Iron/Steel/Plastic Pressure/HDPE Pipes**



NOM SIZE	DIP OR C900/C909 PVC PIPE STARBOND ITEM CODE	IPS PVC PIPE OR STEEL PIPE STARBOND ITEM CODE	STARBOND LIST PRICE	WT
3	RSF7203	RSFT7203	\$209.28	13
4	RSF7204	RSFT7204	\$267.87	20
6	RSF7206	RSFT7206	\$393.61	29
8	RSF7208	RSFT7208	\$621.71	35
10	RSF7210	RSFT7210	\$881.91	60
12	RSF7212	RSFT7212	\$1,130.87	72
14	RSF7214		\$1,676.89	89
16	RSF7216		\$2,465.78	110
18	RSF7218		\$2,761.77	140
20	RSF7220		\$3,048.13	165
24	RSF7224		\$3,717.22	198
30	RSF7230		\$4,836.30	363
36	RSF7236		\$7,400.37	542

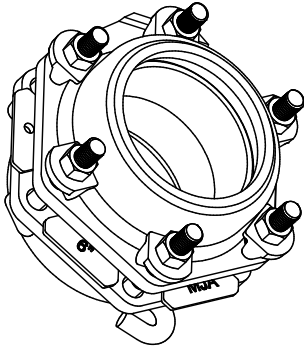
**PLEASE CALL:**

...FOR SPECIAL COATINGS	...FOR STAINLESS STEEL & STAR BLUE ACCESSORIES
-------------------------	---

**STAR<sup>®</sup> PIPE PRODUCTS**

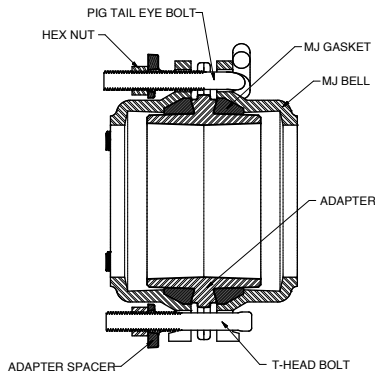


**MJxMJ ADAPTER Series 100**  
**For Mechanical Joint Bell Connections**  
**Asphaltic Coating with HSLA Hardware**

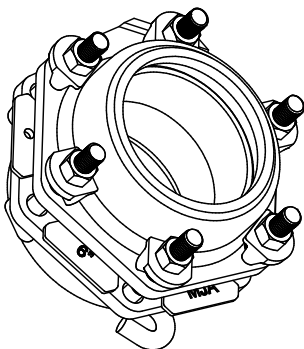


NOM. SIZE	ITEM CODE	LIST PRICE	WT
3	MJA03	CALL	10
4	MJA04	CALL	16
6	MJA06	CALL	23
8	MJA08	CALL	29
10	MJA10	CALL	41
12	MJA12	CALL	45

*NOTE: Product is supplied with MJ x MJ adapter, 2 MJ gaskets, T-bolts, pigtail bolts (as required), nuts and spacers.*



**MJxMJ ADAPTER Series 100**  
**For Mechanical Joint Bell Connections**  
**FBE Coating with Star Blue Hardware**



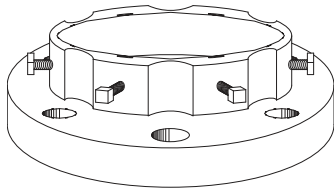
NOM. SIZE	ITEM CODE	LIST PRICE	WT
3	MJA03FCB	CALL	10
4	MJA04FCB	CALL	16
6	MJA06FCB	CALL	23
8	MJA08FCB	CALL	29
10	MJA10FCB	CALL	41
12	MJA12FCB	CALL	45
14	MJA14FCB	CALL	68
16	MJA16FCB	CALL	80
18	MJA18FCB	CALL	97
20	MJA20FCB	CALL	110
24	MJA24FCB	CALL	130
30	MJA30FCB	CALL	229
36	MJA36FCB	CALL	289

*NOTE: Product is supplied with MJ x MJ adapter, 2 MJ gaskets, T-bolts, pigtail bolts (as required), nuts and spacers.*

**PLEASE CALL:**

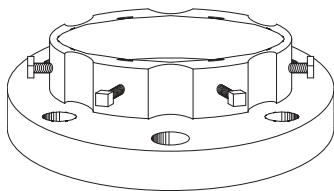
...FOR SPECIAL COATINGS	...FOR STAINLESS STEEL & STAR BLUE ACCESSORIES
-------------------------	--

STAR<sup>®</sup> PIPE PRODUCTS



**FLANGE ADAPTER Series 200**  
**For Use on Ductile Iron and Steel Pipe**  
**Flange Drilling ANSI B16.1/ 125 lb. / ANSI B16.5 150 lb.**

NOM SIZE	MULTI-COAT ITEM CODE	FOR DIP OD	MULTI-COAT LIST PRICE	MULTI-COAT ITEM CODE	FOR STEEL PIPE OD	MULTI-COAT LIST PRICE	CRT QTY	WT
3	SF203G	3.96	\$80.53	SF203TG	3.5	\$80.53	400	6
4	SF204G	4.8	\$108.87	SF204TG	4.5	\$108.87	350	8
6	SF206G	6.9	\$117.28	SF206TG	6.625	\$117.28	198	11
8	SF208G	9.05	\$162.87	SF208TG	8.625	\$162.86	117	17
10	SF210G	11.1	\$292.54	SF210TG	10.75	\$292.54	65	25
12	SF212G	13.2	\$341.22	SF212TG	12.75	\$341.21	44	34



**FLANGE ADAPTER Series 400**  
**For Use on Ductile Iron and Steel Pipe**  
**Flange Drilling ANSI B16.1 125 lb. / ANSI B16.5 150 lb.**

NOM SIZE	MULTI-COAT ITEM CODE	FOR DIP OD	MULTI-COAT LIST PRICE	MULTI-COAT ITEM CODE	FOR STEEL PIPE OD	MULTI-COAT LIST PRICE	CRT QTY	WT
3	SF403GN	3.96	\$119.06	SF403TGN	3.5	\$119.06	400	6
4	SF404GN	4.8	\$125.69	SF404TGN	4.5	\$125.69	350	8
6	SF406GN	6.9	\$158.43	SF406TGN	6.625	\$158.43	198	11
8	SF408GN	9.05	\$173.93	SF408TGN	8.625	\$173.93	117	17
10	SF410GN	11.1	\$355.39	SF410TGN	10.75	\$355.39	65	25
12	SF412GN	13.2	\$419.12	SF412TGN	12.75	\$419.12	44	34
14	SF414G	15.3	\$775.82					53
16	SF416G	17.4	\$971.87					69
18	SF418G	19.5	\$1,098.90					76
20	SF420G	21.6	\$1,328.59					95
24	SF424G	25.8	\$1,791.95					131
30	SF430G	32	\$3,072.29					206
36	SF436G	38.3	\$4,514.61					300

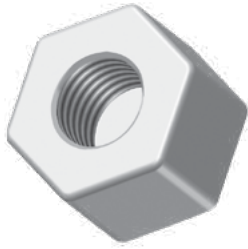
**PLEASE CALL:**

...FOR SPECIAL COATINGS	...FOR STAINLESS STEEL & STAR BLUE ACCESSORIES
-------------------------	--

\* REGISTERED TRADEMARK OF STAR PIPE PRODUCTS

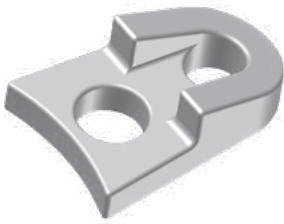


STAR<sup>®</sup> PIPE PRODUCTS



**ZINC ANODE NUT/CAP**

NOM SIZE	ITEM CODE	CRT QTY	WT	PRICE
3/4	ANODE6OZ	2000	0.4	\$14.17



**STARLUG (or Duc-Lug®) - Mechanical Joint Threaded-Rod Restraint System**

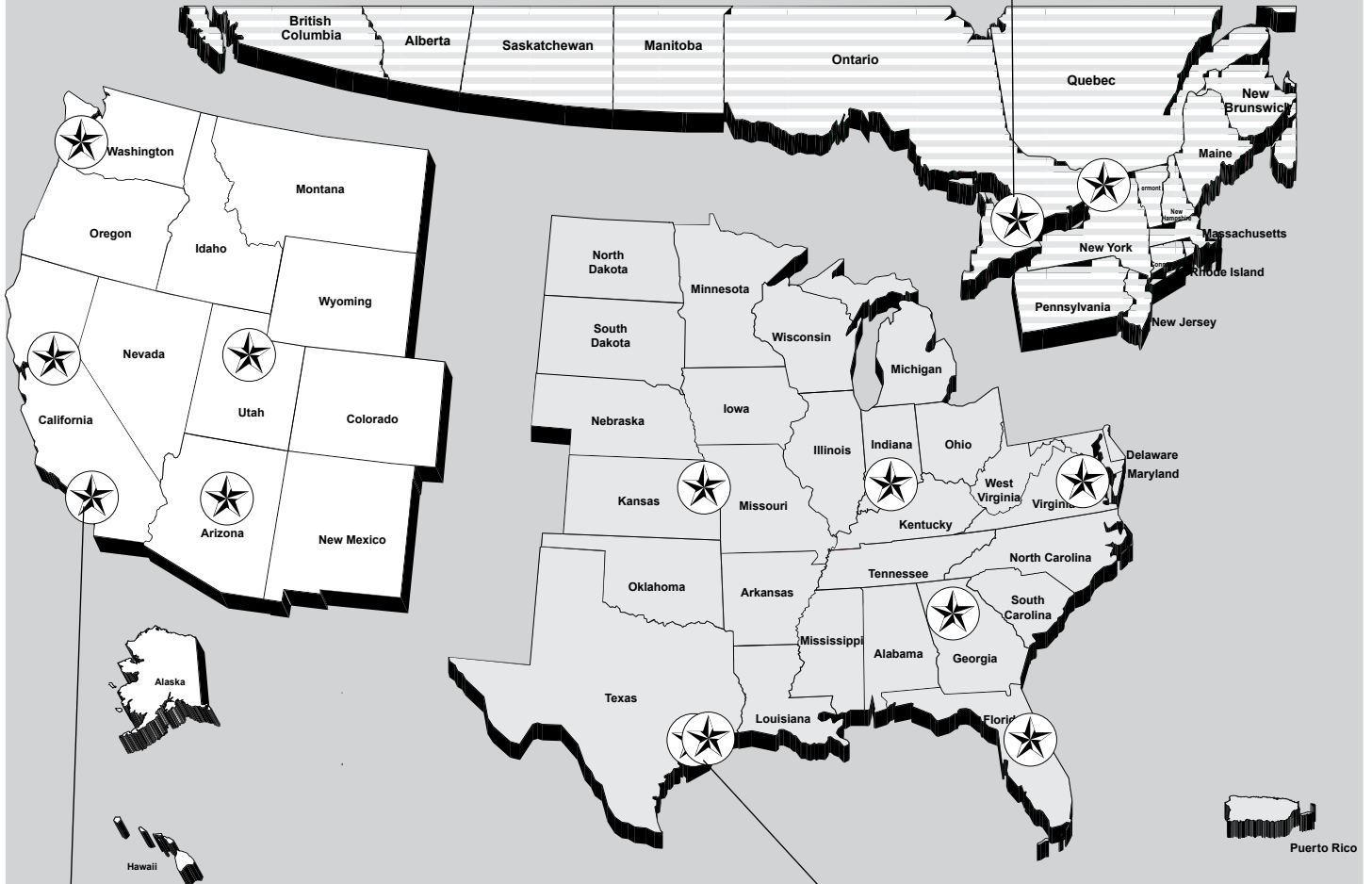
NOM SIZE	ITEM CODE	CRT QTY	WT	PRICE
4 - 16	STARLUG	2000	0.8	\$7.41

*\*Duc-Lug is a registered trademark of Astral Corporation.*

STAR<sup>®</sup> PIPE PRODUCTS



**CAMBRIDGE  
CALL CENTER**  
Toll Free: (888) 893-7827  
Fax: (519) 650-1553



**CORONA  
CALL CENTER**  
Toll Free: (877) 701-7827  
Fax: (951) 898-9561

**HOUSTON  
CALL CENTER**  
Toll Free: (800) 999-3009  
Fax: (281) 558-9000

## Regional Distribution Centers ★

**Houston, TX  
Corporate Headquarters**  
4018 Westhollow Pkwy.  
Houston, TX 77082

**Sacramento, CA**  
830 W. National Drive  
Sacramento, CA 95834

**Orlando, FL**  
601 Gills Dr.  
Orlando, FL 32824

**Richmond, VA**  
2913 Transport Street  
Richmond, VA 23234

**Houston, TX**  
4023 Westhollow Pkwy, Suite 108.  
Houston, TX 77082

**Corona, CA**  
1223 Sherborn Street  
Corona, CA 92879

**Salt Lake City, UT**  
2861 West Parkway Blvd.  
West Valley City, UT 84119

**Seattle, WA**  
13605 52<sup>nd</sup> Street East  
Sumner, WA 98390

**Montreal, CAN**  
3067 Rue Joseph-A-Bomdardier  
Laval, QC H7P 6C5

**Cambridge, CAN**  
1144 Industrial Road  
Cambridge, Ontario, N3H4W4

**Atlanta, GA**  
5307 Peachtree Industrial Blvd.  
Chamblee, GA 30341

**Indianapolis, IN**  
7955 Zionsville Road  
Indianapolis, IN 46268

**Kansas City, MO**  
1836 Levee Road  
North Kansas City, MO 64116

**Phoenix, AZ**  
1250 East Hadley Suite 2  
Phoenix, AZ 85034